

Pump Repair Parts

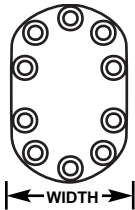


Identifying Pumps & Motors474
Pump/Motor Seal Kits475 - 476
Repair Parts477
Parts Breakdown	
• C101/102 Parts Breakdown478
• G101/102 Parts Breakdown479
• P20 Parts Breakdown480
• P25X Parts Breakdown481
• P30 Parts Breakdown482
• P31 Parts Breakdown483
• 37X Parts Breakdown484
• P50 Parts Breakdown485
• P51 Parts Breakdown486
• P75 Parts Breakdown487
• P76 Parts Breakdown488
• P330 Parts Breakdown489
• P350 Parts Breakdown490
• P365 Parts Breakdown491

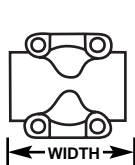
By the Shape and Size of the Port End Cover

1. Look at the Unit from the Port End, see which example it matches the closest. Include the Shape, Size, and **most importantly** the Bolt Pattern.
2. Measure the overall width of the Unit, then match the width to the chart beside the Port End you chose in step #1.
3. If there is not a "See Also" block on the chart you used, then you've identified the Unit. Otherwise move to step #4.
4. A Numbered Note marker will direct you to the next step or steps.

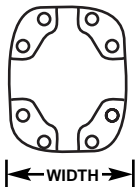
PORT END VIEW



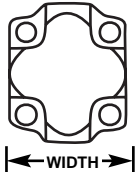
Series	"D"
Width	4.50



Series	315	330	350	365
Side Ported Width	4.25	6.68	7.12	7.38
Unported Width	4.00	4.81	5.75	6.25



Series	37X	75 / 76	125
Width	5.12	6.13	7.00
See Also		②	



Series	15H	25X	20	30/31	50/51
Width	4.38	4.94	4.50	4.81	4.94
See Also		①		②	①②

- ① **SHAFT END VIEW**
Look at the Unit from the Shaft End, compare it to the views below. Select the Shaft type on your Unit.

SERIES 31/51



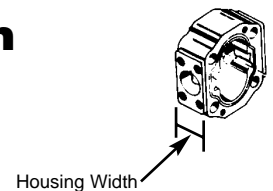
- ② **DISASSEMBLE UNIT**
This step requires the Port End Cover of the Unit to be removed & inspected for Dowel Pins. This is the only way to tell the difference between some Series.

Series 31/51/76: Assembled with Dowel Pins.

**Call Our Component Sales Team
If You Need More Assistance.**

Identifying Commercial Gear Width Compared to Pump or Motor Housing Width

1. Measure the gear housing width (See Illustration).
2. Then match the housing width to the series of pump/motor you are using.
3. Check the chart for the nearest measurement (rounding up) to give you the proper gear width.



P20 Series	Gear Width	0.50"	0.75"	1.00"	1.25"	1.50"	1.75"	2.00"											
	Housing Width	1.25"	1.50"	1.75"	2.00"	2.25"	2.50"	2.75"											
P25X Series	Gear Width	0.50"	0.75"	1.00"	1.25"	1.50"	1.75"	2.00"	2.25"	2.50"									
	Housing Width	1.25"	1.50"	1.75"	2.00"	2.25"	2.50"	2.75"	3.00"	3.25"									
P30/P31 Series	Gear Width	0.50"	0.75"	1.00"	1.25"	1.50"	1.75"	2.00"											
	Housing Width	1.25"	1.50"	1.75"	2.00"	2.25"	2.50"	2.75"											
P37X	Gear Width	0.25"	0.50"	0.75"	1.00"	1.25"	1.50"	1.75"	2.00"	2.25"	2.50"	3.00"							
	Housing Width	1.25"	1.50"	1.75"	2.00"	2.25"	2.50"	2.75"	3.00"	3.25"	3.50"	4.00"							
P50/P51 Series	Gear Width	0.50"	0.75"	1.00"	1.25"	1.50"	1.75"	2.00"	2.25"	2.50"									
	Housing Width	1.25"	1.50"	1.75"	2.00"	2.25"	2.50"	2.75"	3.00"	3.25"									
P75/P76	Gear Width	0.75"	1.00"	1.25"	1.50"	1.75"	2.00"	2.25"	2.50"	2.75"	3.00"	3.25"	3.50"	3.75"	3.00"				
	Housing Width	1.75"	2.00"	2.25"	2.50"	2.75"	3.00"	3.25"	3.50"	3.75"	4.00"								
P330 Series	Gear Width	0.50"	0.75"	1.25"	1.50"	1.75"	2.00"												
	Housing Width	1.00"	1.25"	1.75"	2.00"	2.25"	2.50"												
P350 Series	Gear Width	0.50"	0.75"	1.25"	1.50"	1.75"	2.00"	2.25"	2.50"										
	Housing Width	1.00"	1.25"	1.75"	2.00"	2.25"	2.50"	2.75"	3.00"										
P365 Series	Gear Width	0.75"	1.25"	1.50"	1.75"	2.00"	2.25"	2.50"											
	Housing Width	1.25"	1.75"	2.00"	2.25"	2.50"	2.75"	3.00"											

Identify kits by using model and shaft end cover numbers. Example:



P20 Series

Part Number	Application	SEC First #	SEC Last #
Pumps			
CM-P20SPSK		All Pumps	
Motors			
CM-M205SPSK		All Motors	
Multiple Section Pump/Motors			
CM-MP20MSSK	Note: Use 1 kit per section over single kit.		

25X Series

Part Number	Application	SEC First #	SEC Last #
Pumps			
CM-P25SBSKTI	Type I, Single Bearing	1, 2, 3	00, 01, 02, 03, 06, 40, 41, 42, 78, 79, 97, 98
CM-P25SBSKT2	Type II, Single Bearing	1, 2, 3	04, 05, 07
CM-P25DBSK	Type II, Double Bearing	6, 8	00, 42, 78, 97, 98
Motors			
CM-M25SBSKT1	Type I, Single Bearing	7, 9	00, 01, 02, 03, 06, 40, 41, 42, 78, 79, 95, 97, 98
CM-M25SBSKT2	Type II, Single Bearing	7, 9	04, 05, 07
CM-M25DBSK	Type II, Double Bearing	8	00, 42, 47, 78, 97, 98
Multiple Section Pumps & Motors			
CM-MP25MSSK	Note: Use 1 Kit per section over single kit.		

30 Series

Part Number	Application	SEC First #	SEC Last #
Pumps			
CM-P30SPSK		1 - 6	05 - 97
Motors			
CM-M30SPSK		8 - 9	05 - 94
Multiple Section Pumps & Motors			
CM-MP30MSSK	Note: Use 1 Kit per section over single kit.		

37X Series

Part Number	Application	SEC First #	SEC Last #
Pumps			
CM-P37SBSK	Type I, Single Bearing	1, 2, 3	11, 12, 23, 42, 63, 77, 78, 81, 97
CM-P37DBSK	Type II, Double Bearing	6	11, 42, 78
Motors			
CM-M37SBSK	Type I, Single Bearing	7, 9	11, 12, 23, 42, 63, 78, 81, 97, 98
CM-M37DBSK	Type II, Double Bearing	8	11, 42, 78
Multiple Section Pumps & Motors			
CM-MP37MSSK	Note: Use 1 Kit per section over single kit.		

Identify kits by using model and shaft end cover numbers. Example:



50 Series

Part Number	Application	SEC First #	SEC Last #
Pumps			
CM-P50SPSK		1 - 6	00 - 98
Motors			
CM-M50SPSK		8, 9	00 - 98
Multiple Section Pumps & Motors			
CM-MP50MSSK	Note: Use 1 kit per section over single kit.		

75 Series

Part Number	Application	SEC First #	SEC Last #
Pumps			
CM-P75SPSK		1 - 6	42 - 98
Motors			
CM-M75SPSK		8, 9	42 - 98
Multiple Section Pumps & Motors			
CM-MP75MSSK	Note: Use 1 kit per section over single kit.		

330 Series

Part Number	Application	SEC First #	SEC Last #
Pumps			
CM-P330SPSK		All Pumps	
Motors			
CM-M330SPSK		All Motors	
Multiple Section Pumps			
CM-P330MSSK	Note: Use 1 kit per section over single kit.		

350 Series

Part Number	Application	SEC First #	SEC Last #
Pumps			
CM-P350SPSK		All Pumps	
Motors			
CM-M350SPSK		All Motors	
Multiple Section Pumps			
CM-P350MSSK	Note: Use 1 kit per section over single kit.		

365 Series

Part Number	Application	SEC First #	SEC Last #
Pumps			
CM-P365SPSK		All Pumps	
Motors			
CM-M365SPSK		All Motors	
Multiple Section Pumps			
CM-P365MSSK	Note: Use 1 kit per section over single kit.		

Standard Series Pump Parts

25X Series

Description	Engineering #	Part Number
Retainer Ring	W1072	CM-391 2581 009
Seal Retainer	SA1669	CM-391 2584 016
Seal	X73-37-13	CM-391 2883 055
O Ring	L3006-26	CM-391 2881 120
Roller Bearing	X126-8	CM-391 0384 008
Check Assemblies	M1391K	CM-391 3681 001
Shaft Bushing	AH2010	CM-391 0481 002
Conical Spring	A1327-182	CM-391 3581 176
Bearing	S1032	CM-391 0381 905
O Ring	UB3006-244	CM-391 2884 021
Thrust Plate	Y1058	CM-391 2185 912

37X Series

Description	Engineering #	Part Number
Retainer Ring	V1072	CM-391 2581 008
Seal Retainer	RA1669	CM-391 2548 015
Double Lip Seal	X73-37-10	CM-391 2883 052
O Ring	L3006-33	CM-391 2881 127
Tapered Bearing	X126-6	CM-391 0384 006
Bushing	AG2010	CM-391 0481 001
Spring	A1327-177	CM-391 3581 172
Check Assemblies	M1391K	CM-391 3681 001
Roller Bearings	R1032	CM-391 0381 904
Thrust Plate	X1058	CM-391 2185 909
Gasket Seal	UB3006-249	CM-391 2884 023
Roll Pins	X115-20	CM-391 2084 020
Shaft Bushing	AW2010	CM-391 0481 004
Seal Retainer	MA1072	CM-391 2581 004
Hi-Pressure Seal	X73-50-1	CM-391 2883 094

P20/30/31 Series

Description	Engineering #	Part Number
Snap Ring	X134-206	CM-391 2686 063
Outboard Bearing	X69-40	CM-391 0381 040
Seal (pump)	X73-37-16	CM-391 2883 058
Check Assemblies	M1391K	CM-391 3681 001
Plug	T1391	CM-391 2286 004
Spacer	VB1669-2	CM-391 3383 069
Seal Retainer	AE1669	CM-391 3381 040
Hi Pressure Seal	X73-50-9	CM-391 2883 119
Ring Seals	LB1669-1	CM-391 2585 006
Roller Bearings	Y1032	CM-391 0381 906
Thrust Plates	AA1058	CM-391 2185 913

P50/51 Series

Description	Engineering #	Part Number
Snap Ring	X134-283	CM-391 2686 065
Outboard Bearing	X69-58	CM-391 0381 077
Seal (pump)	X73-37-17	CM-391 2883 103
Check Assemblies	M1391K	CM-391 3681 001
Plug	T1391	CM-391 2286 004
Spacer	VB1669-1	CM-391 3383 018
Seal Retainer	AC1669	CM-391 3383 020
Hi Pressure Seal	X73-50-8	CM-391 2883 115
Ring Seals	NB1669-1	CM-391 2585 009
Roller Bearings	S1032	CM-391 0381 905
Thrust Plates	Y1058	CM-391 2185 912

P75/76 Series

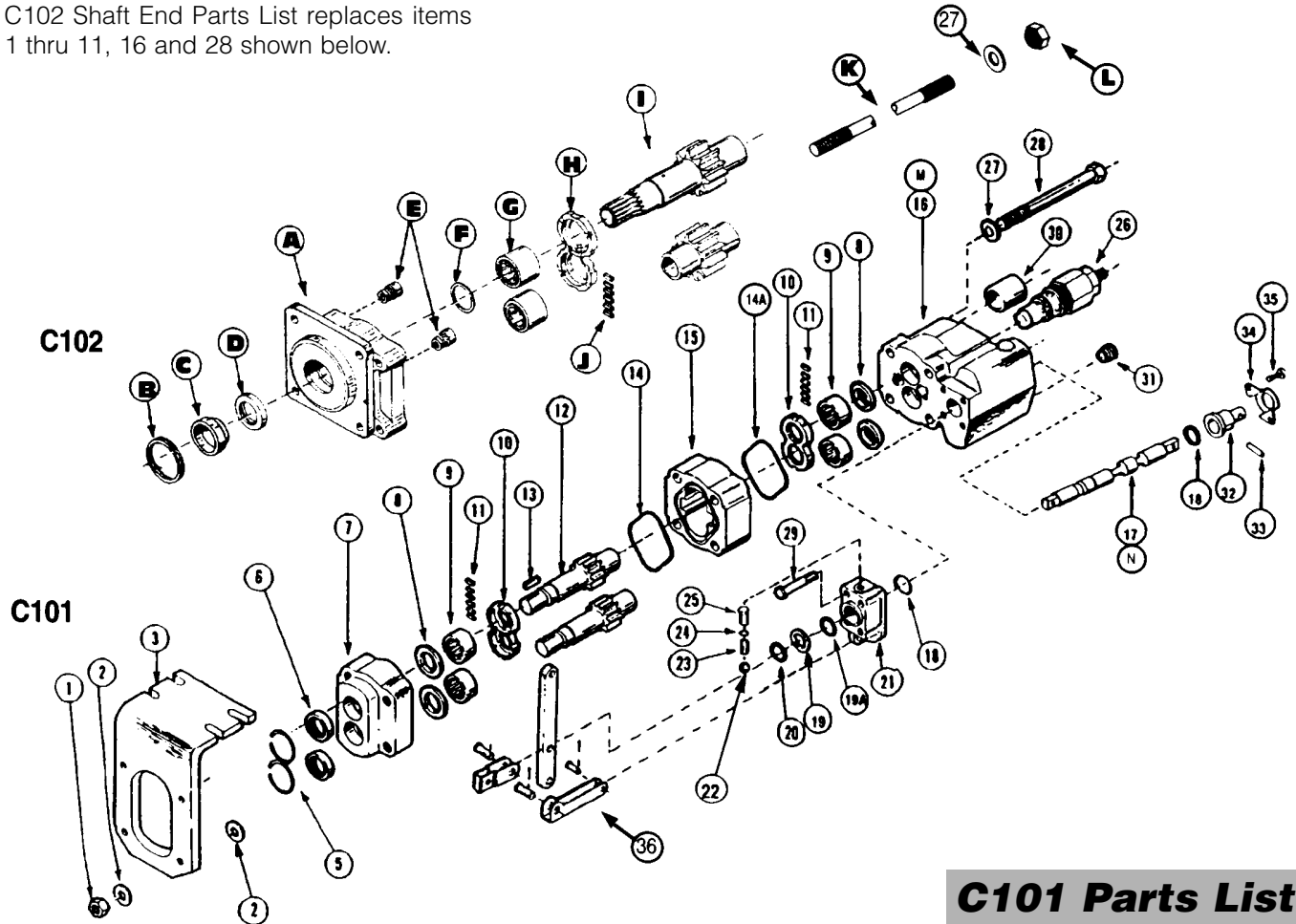
Description	Engineering #	Part Number
Snap Ring	X96-315	CM-391 2686 025
Outboard Bearing	X69-59	CM-391 0381 078
Spacer	VB1669	CM-391 3383 018
Seal Retainer	RA1072	CM-391 2584 051
O Ring	L3006-164	CM-391 2881 457
Seal (pump)	X73-37-10	CM-391 2883 052
(motor)	X73-50-1	CM-391 2883 094
Check Assemblies	M1391K	CM-391 3681 001
Plug	T1391	CM-391 2286 004
Ring Seals	WB1669-1	CM-391 2585 011
Roller Bearings	R1032	CM-391 0381 904
Pocket Seals	BA3026-6	CM-391 2882 084
Thrust Plates	BA1058	CM-391 2185 920

C101/C102 Parts Breakdown Typical Parts

Seal Kit for C101 - CM-HC101
Seal Kit for C102 - CM-HC102

Item	Description	Part No.	Req.	Item	Description	Part No.	Req.	Item	Description	Part No.	Req.
A	Shaft End Cover	313-5033-435	1	F	Ring Seal	391-2585-009	2	J	Pocket Seal	391-2882-050	12
B	Snap Ring	391-2686-065	1	G	Roller Bearing	391-0381-905	4	K	Stud	391-1425-110	4
C	Seal Retainer	391-3383-087	1	H	Thrust Plate	391-2185-912	2	L	Hex Nut	391-1451-076	6
D	Lip Seal	391-2883-115	1	I	Gear Set 2"	313-2920-230	1	M	Port End Cover		1
E	Check Assembly	393-3681-001	2		2 1/2"	313-2925-230	1	N	Valve Spool		1

C102 Shaft End Parts List replaces items 1 thru 11, 16 and 28 shown below.



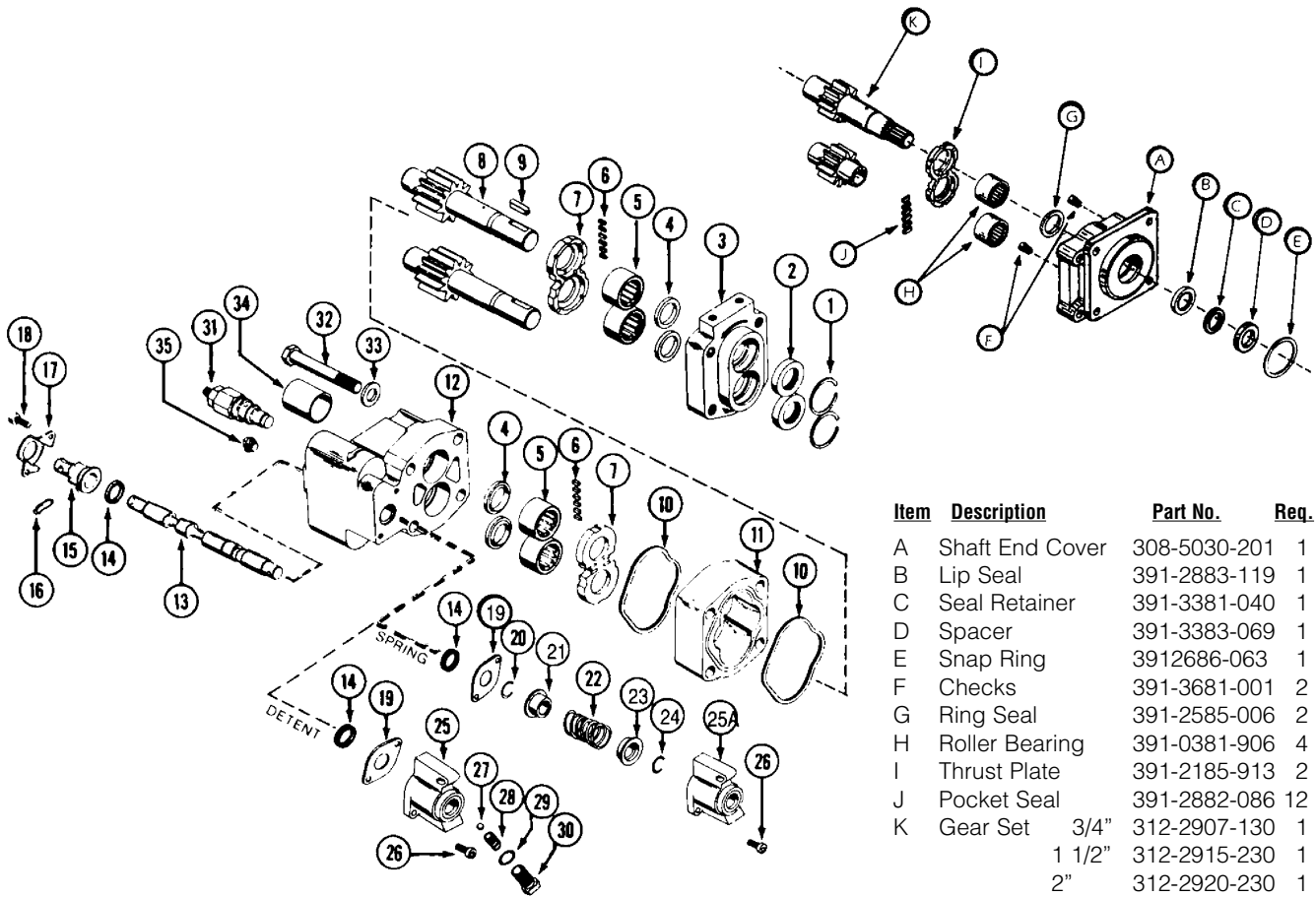
C101 Parts List

Item	Description	Part No.	Req.	Item	Description	Part No.	Req.	Item	Description	Part No.	Req.
1	Hex Nut	391-1451-076	4	15	Gear 2"	314-8020-100	1	27	Washer	391-3784-029	4
2	Washer	391-3784-028	8		Housing 2 1/2"	314-8025-100	1	28	Cap Screw 2"	391-1401-111	4
3	Bracket (optional)	314-0100-005	1	16*	Port End Cover		1		2 1/2"	391-1401-110	4
5	Snap Ring	391-2681-493	2	17*	Valve Spool		1	29	Cap Screw	391-1401-082	4
6	Lip Seal	391-2883-096	2	18	"O" Ring	391-2881-103	2	30	Sleeve (optional)	391-3283-052	1
7	Shaft End Cover	314-5039-201	1	19A	Wiper Ring	391-2883-147	1	31	Pipe Plug - 1" NPT	391-2282-006	1
8	Ring Seal	391-2585-009	4	19	Retainer Ring	391-3782-126	1	32	Spool End Cap	391-1881-073	1
9	Roller Bearing	391-0381-905	4	20	Snap Ring	391-2688-003	1	33	Spiral Pin	391-2085-009	1
10	Thrust Plate	391-2185-912	2	21	Detent Cap	314-0100-003	1	34	Bracket	391-0981-010	1
11	Pocket Seals	391-2882-050	12	22	Detent Ball	391-0282-009	1	35	Socket Hd. Cap Screw	391-1402-063	2
12	Gear Set 2"	314-2920-640	1	23	Detent Spring	391-3581-383	1				
	2 1/2"	314-2925-640	1	24	Lock Washer	391-3788-002	1				
13	Shaft Key	391-1781-021	1	25	Detent Retainer	391-2583-079	1				
14	Gasket Seal	391-2884-021	2	26	Relief Valve	355-9001-067	1				
								36	Handle Ass'y (optional)	355-9100-009	1

* Items 16, 17 M and N are not serviceable parts.

Seal Kit for G101 - CM-HG101
Seal Kit for G102 - CM-HG102

G101/G102 Parts Breakdown Typical Parts List



Item	Description	Part No.	Req.
A	Shaft End Cover	308-5030-201	1
B	Lip Seal	391-2883-119	1
C	Seal Retainer	391-3381-040	1
D	Spacer	391-3383-069	1
E	Snap Ring	3912686-063	1
F	Checks	391-3681-001	2
G	Ring Seal	391-2585-006	2
H	Roller Bearing	391-0381-906	4
I	Thrust Plate	391-2185-913	2
J	Pocket Seal	391-2882-086	12
K	Gear Set	3/4" 312-2907-130	1
		1 1/2" 312-2915-230	1
		2" 312-2920-230	1

G102 Shaft End Parts List replaces items 1 thru 8 in G101 Parts List below.

G101 Parts List

Item	Description	Part No.	Req.	Item	Description	Part No.	Req.	Item	Description	Part No.	Req.
1	Snap Ring	391-2681-487	2	12	Port End Cover		1	26	Cap Screw	391-1433-020	2
2	Lip Seal	391-2883-119	2	13	Spool		1	27	Detent Ball	391-0282-009	1
3	Shaft End Cover	308-5016-201	1	14	Quad Ring Seal	391-1985-014	2	28	Spring	391-3581-383	1
4	Ring Seal	391-2585-006	4	15	Spool End Cap	391-1881-072	1	29	Lock Washer	391-3788-002	1
5	Roller Bearing	391-0381-906	4	16	Spiral Pin	391-2085-009	1	30	Detent Retainer	391-2583-079	1
6	Pocket Seal	391-2882-086	12	17	Bracket	391-0981-007	1	31	Relief Valve	355-9001-197	1
7	Thrust Plate	391-2185-913	2	18	Skt Hd Cap Screw	391-1402-063	2	32	Cap Screw	3/4" 391-1401-395	4
8	Gear Set	3/4" 312-2907-842	1	19	Cover Plate	391-2183-124	1			1 1/2" 391-1401-381	4
		1 1/2" 312-2915-842	1	20	Retaining Ring	391-2681-485	1			2" 391-1401-382	4
		2" 312-2920-842	1	21	Spring Guide	391-1642-136	1	33	Washer	391-3782-146	4
9	Key	391-1781-021	1	22	Spring	391-3581-212	1	34	Sleeve (optional)	391-3283-052	1
10	Gasket Seal	391-2884-019	2	23	Spring Guide	39101642-137	1	35	Pipe Plug	391-2282-003	1
11	Gear	3/4" 308-8007-901	1	24	Retaining Ring	391-2681-486	1				
	Housing	1 1/2" 308-8015-901	1	25A	End Cap	308-4000-100	1				
		2" 308-8020-901	1	25	End Cap	308-4000-102	1				

P20 Parts Breakdown

Typical Parts List

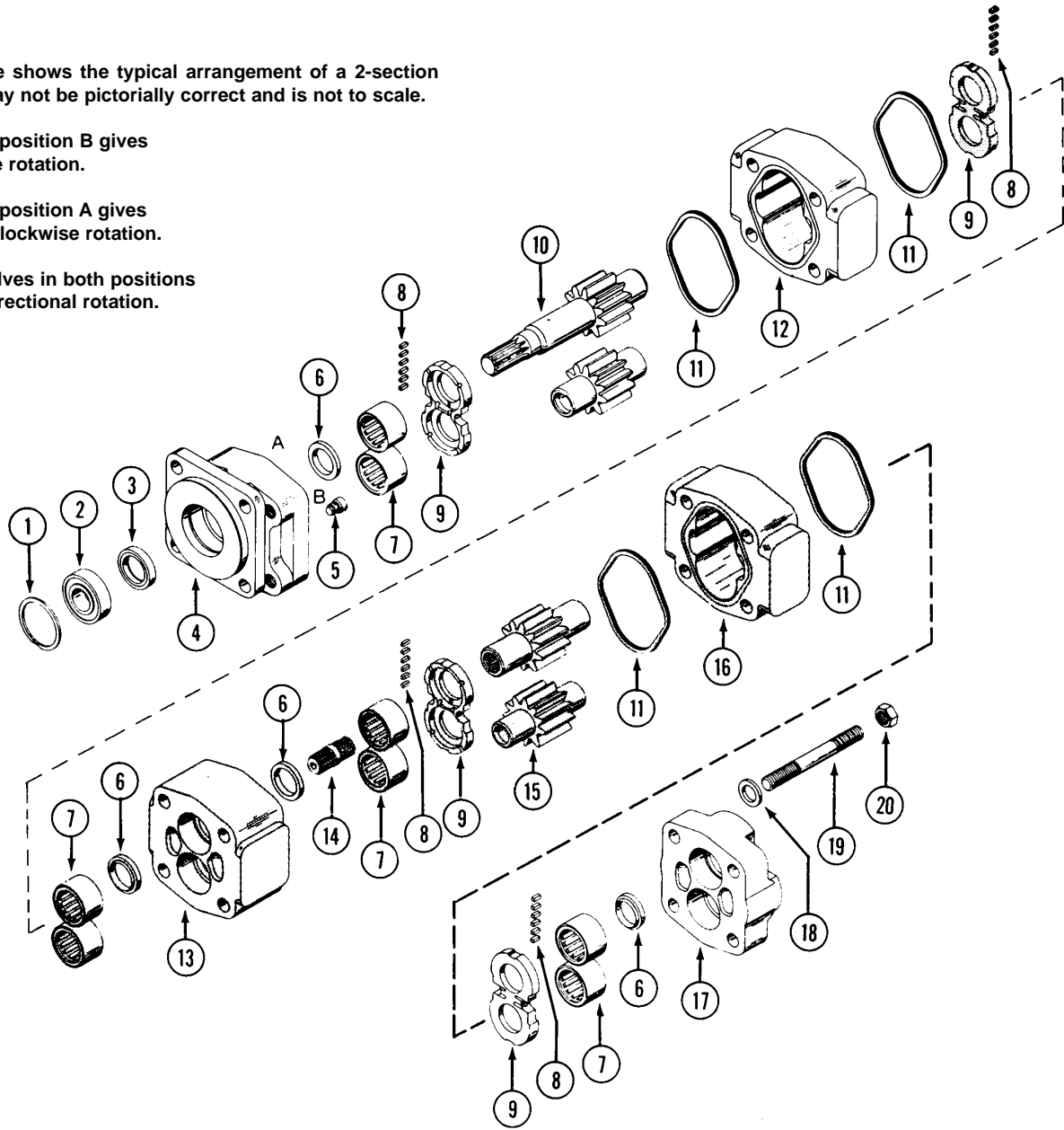
Note:

This page shows the typical arrangement of a 2-section unit. It may not be pictorially correct and is not to scale.

Plug 5 in position B gives clockwise rotation.

Plug 5 in position A gives counter-clockwise rotation.

Check valves in both positions give bi-directional rotation.



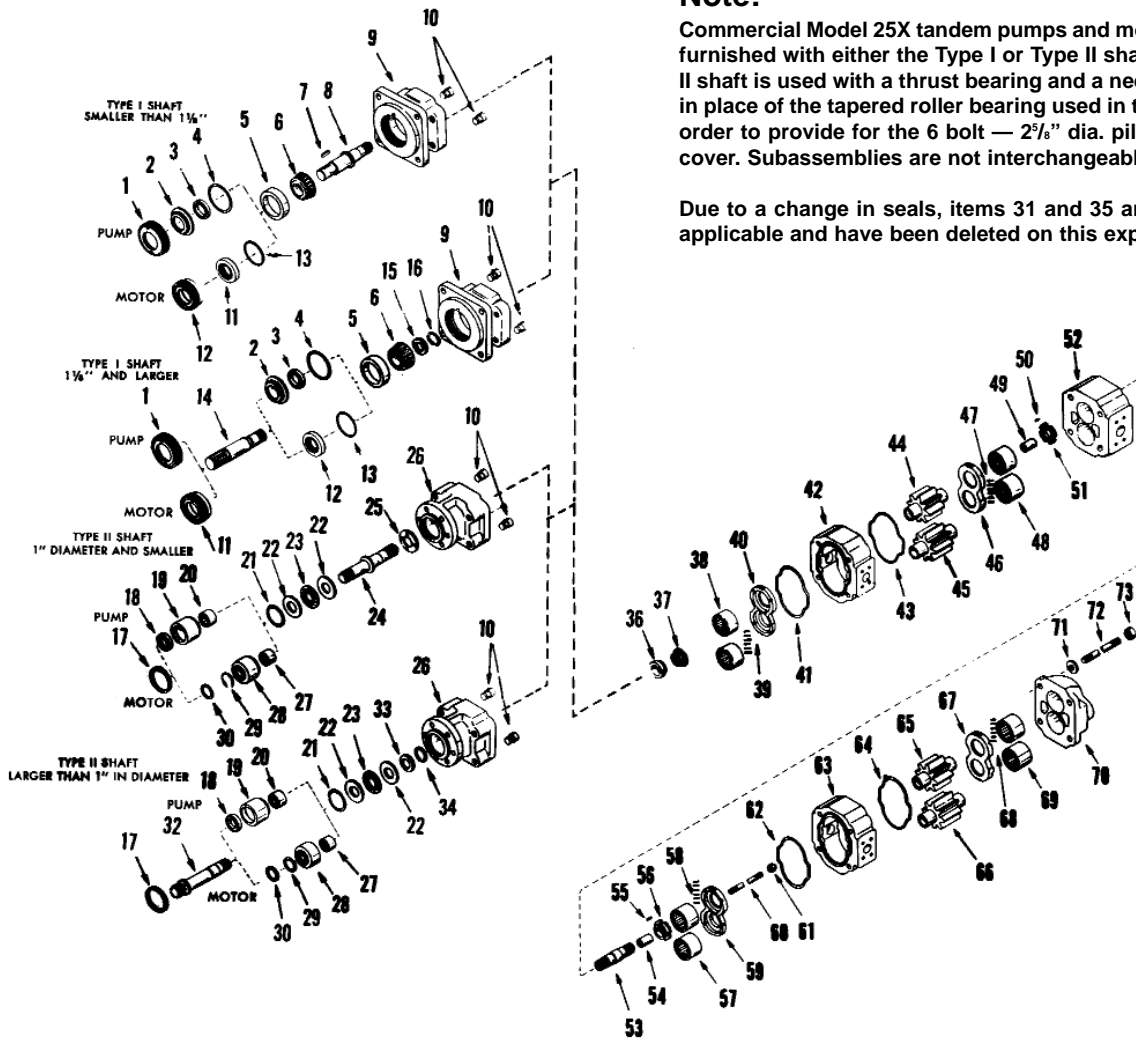
Item	Description	Part Number	Item	Description	Part Number
1	Snap Ring	CM-391-2686-063	11	Gasket Seals	580-239
2	Outboard Bearing	CM-391-0381-040	12	Gear Housing	See Option List
3	Seal	CM-391-2883-058	13	Bearing Carrier	See Option List
4	Shaft End Cover	See Option List	14	Connecting Shaft	See Option List
5	Check Assemblies or Plug	CM-391-3681-001	15	Matched Gear Set	See Option List
6	Ring Seals	CM-391-2585-006	16	Gear Housing	See Option List
7	Roller Bearings	CM-391-0381-906	17	Port End Cover	See Option List
8	Pocket Seals		18	Washers	
9	Thrust Plates	CM-391-2185-913	19	Studs or Cap Screws	
10	Integral Drive Shaft and Gear Set	See Option List	20	Nuts	

25X Parts Breakdown Typical Parts List

Note:

Commercial Model 25X tandem pumps and motors can be furnished with either the Type I or Type II shaft. The Type II shaft is used with a thrust bearing and a needle bearing in place of the tapered roller bearing used in the Type I, in order to provide for the 6 bolt — 2⁵/₁₆" dia. pilot shaft end cover. Subassemblies are not interchangeable.

Due to a change in seals, items 31 and 35 are no longer applicable and have been deleted on this exploded view.



Item	Description	Part Number	Item	Description	Part Number	Item	Description	Part Number
1	Retainer Ring	CM-391-2581-009	25	Thrust Washer		50	Roll Pin	
2	Seal Retainer	CM-391-2584-016	26	Shaft End Cover		51	Shaft Bushing	
3	Double Lip Seal	CM-391-2883-055	27	Needle Bearing		52	Bearing Carrier	
4	"O" Ring	CM-391-2881-120	28	Bearing & Seal Retainer		53	Connection Shaft	
5	Bearing Cup		29	"O" Ring		54	Spacer	
6	Tapered Bearing	CM-391-0384-008	30	Back-up Ring		55	Roll pin	
7	Key		32	Drive Shaft		56	Shaft Bushings	
8	Drive Shaft		33	Snap Ring Retainer		57	Roller Bearings	
9	Shaft End Cover		34	Snap Ring		58	Pocket Seal	
10	Check Assemblies	CM-391-3681-001	36	Bronze Shaft Bushing	CM-391-0481-002	59	Thrust Plate	CM-391-2185-912
11	Motor Shaft Seal		37	Conical Spring	CM-391-3581-176	60	Connecting Stud	
12	Seal Retainer		38	Roller Bearings		61	Lock Nut	
13	"O" Ring		39	Pocket Seal		62	"O" Ring Gasket	CM-391-2884-021
14	Drive Shaft		40	Thrust Plate	CM-391-2185-912	63	Gear Housing	
15	Spacer		41	"O" Ring Gasket	CM-391-2884-021	64	"O" Ring Gasket	CM-391-2884-021
16	Snap Ring		42	Gear Housing		65	Drive Gear	
17	Spirolox Snap Ring		43	"O" Ring Gasket	CM-391-2884-021	66	Driven Gear	
18	Double Lip Seal		44	Drive Gear		67	Thrust plate	CM-391-2185-912
19	Bearing and Seal Retainer		45	Driven Gear		68	Pocket Seal	
20	Needle Bearing		46	Thrust Plate	CM-391-2185-912	69	Roller Bearings	
21	"O" Ring		47	Pocket Seal		70	Port End Cover	
22	Thrust Bearing Race		48	Roller Bearings	CM-391-0381-905	71	Washer	
23	Thrust Bearing Rollers		49	Spacer		72	Stud	
24	Drive Shaft					73	Hex Nut	

P30 Parts Breakdown

Typical Parts List

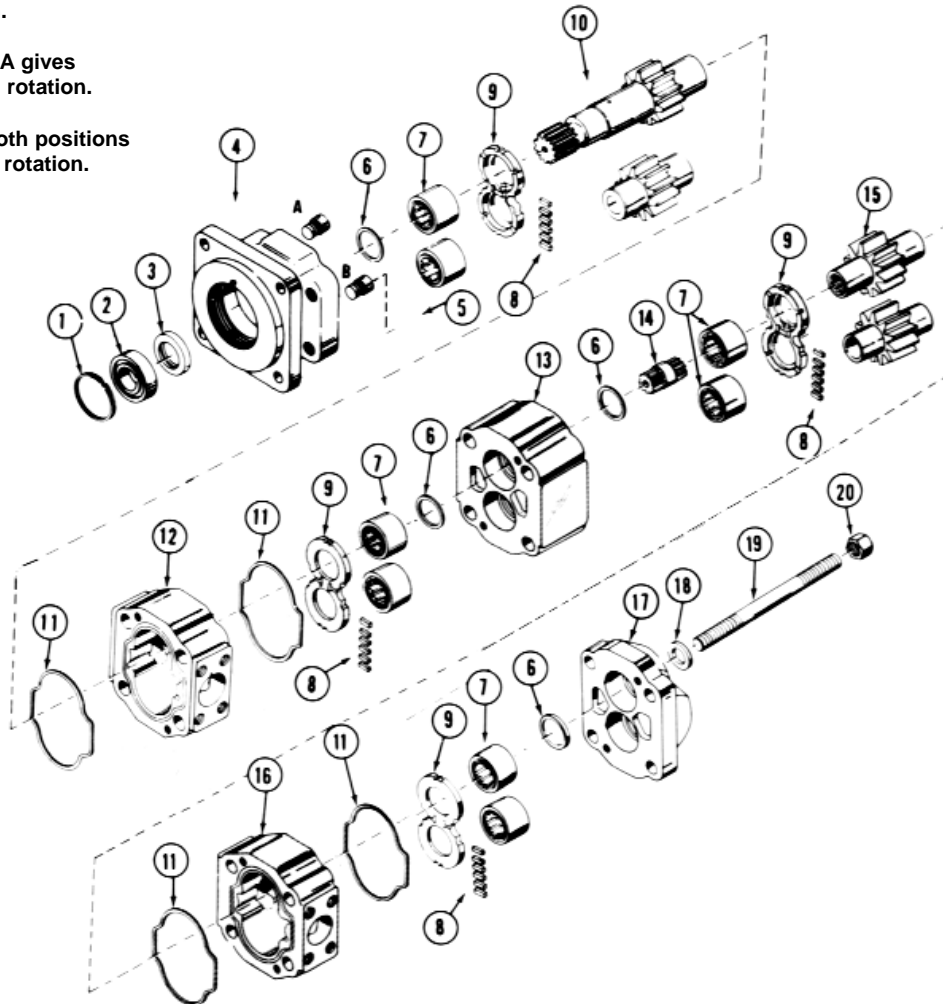
Note:

This page shows the typical arrangement of a 2-section unit. It may not be pictorially correct and is not to scale.

Plug 5 in position B gives clockwise rotation.

Plug 5 in position A gives counter-clockwise rotation.

Check valves in both positions give bi-directional rotation.



Item	Description	Part Number	Item	Description	Part Number
1	Snap Ring	CM-391-2686-063	10	Integral Drive Shaft and Gear Set	See Option List
2	Outboard Bearing	CM-391-0381-040	11	Gasket Seals	CM-391-2884-050
3	Seal (Pump)	CM-391-2883-058	12	Gear Housing	See Option List
4	Hi Pressure Seal (Motor)	CM-391-2883-119	13	Bearing Carrier	See Option List
5	Shaft End Cover	See Option List	14	Connecting Shaft	See Option List
6	Check Assemblies	CM-391-3681-001	15	Matched Gear Set	See Option List
7	Plug	CM-391-2286-004	16	Gear Housing	See Option List
8	Ring Seals	CM-391-2585-006	17	Port End Cover	See Option List
9	Roller Bearings	CM-391-0381-906	18	Washers	
	Pocket Seals		19	Studs or Cap Screws	
	Thrust Plates	CM-391-2185-913	20	Nuts	

P31 Parts Breakdown Typical Parts List

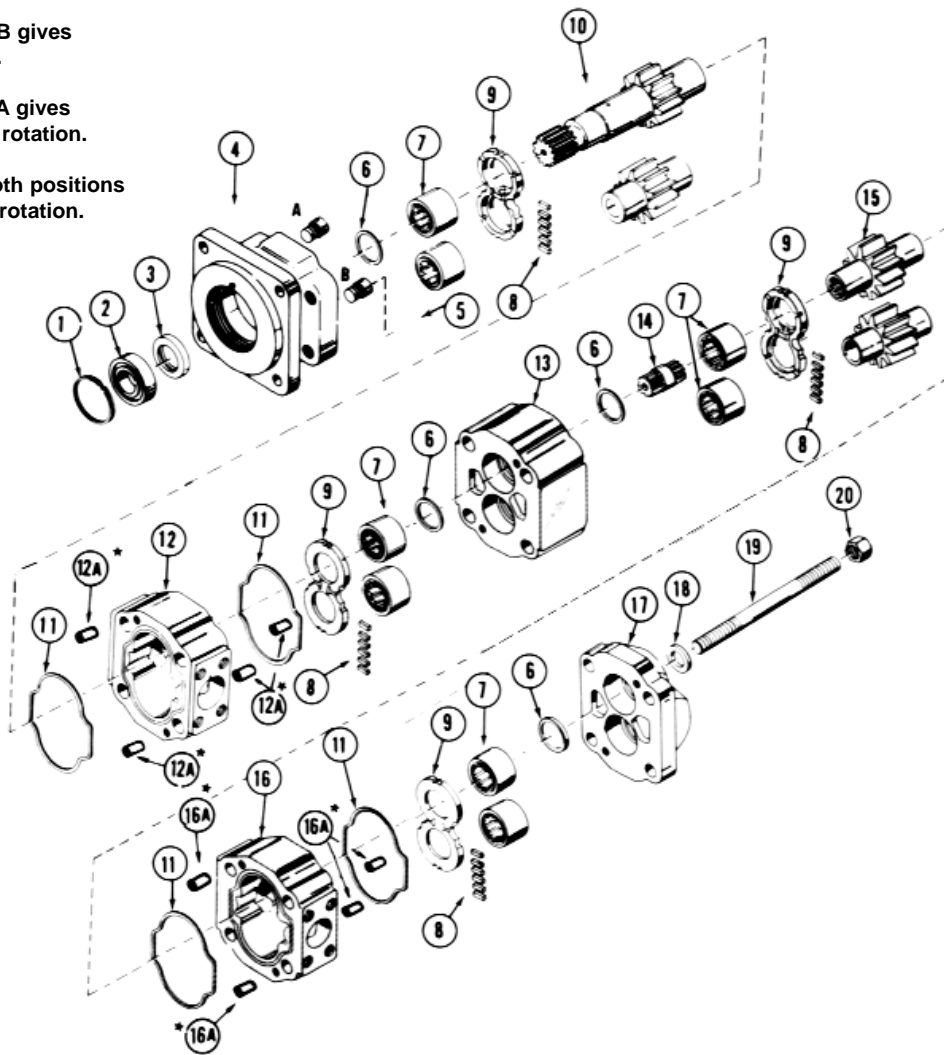
Note:

This page shows the typical arrangement of a 2-section unit. It may not be pictorially correct and is not to scale.

Plug 5 in position B gives clockwise rotation.

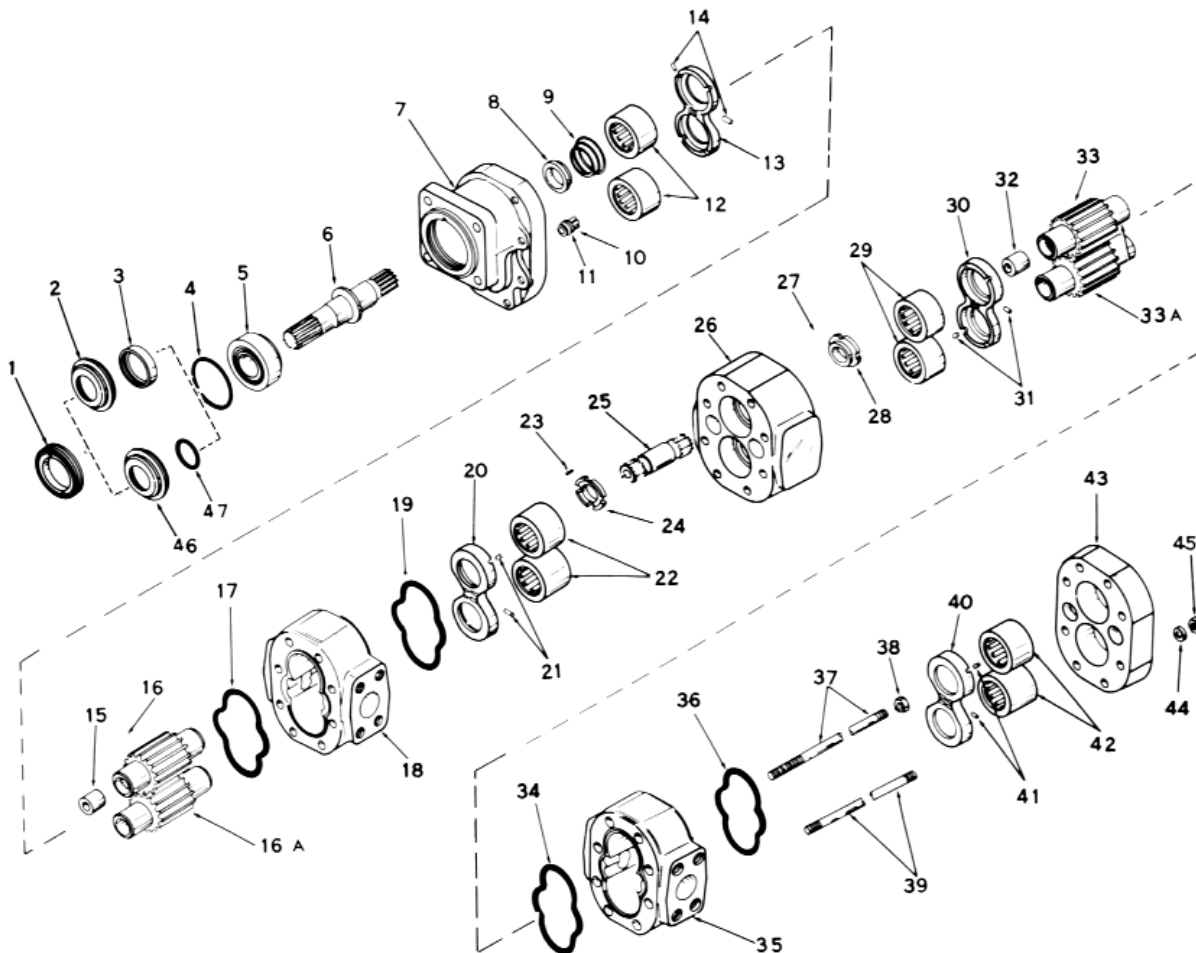
Plug 5 in position A gives counter-clockwise rotation.

Check valves in both positions give bi-directional rotation.



Item	Description	Part Number	Item	Description	Part Number
1	Snap Ring	CM-391-2686-063	11	Gasket Seals	CM-391-2884-050
2	Outboard Bearing	CM-391-0381-040	12	Gear Housing	See Option List
3	Seal (Pump)	CM-391-2883-058	12A	Dowel Pins	CM-391-2082-032
4	Hi Pressure Seal (Motor)	CM-391-2883-119	13	Bearing Carrier	See Option List
5	Check Assemblies	CM-391-3681-001	14	Connecting Shaft	See Option List
6	Ring Seals	CM-391-2286-004	15	Matched Gear Set	See Option List
7	Roller Bearings	CM-391-2585-006	16	Gear Housing	See Option List
8	Pocket Seals	CM-391-0381-906	16A	Dowel Pins	CM-391-2082-032
9	Thrust Plates	CM-391-2185-913	17	Port End Cover	See Option List
10	Integral Drive Shaft and Gear Set	See Option List	18	Washers	
			19	Studs or Cap Screws	
			20	Nuts	

**37X Parts Breakdown
Typical Parts List**



Item	Description	Part Number	Item	Description	Part Number
1	Retainer Ring	CM-391-2581-008	25	Connector Shaft	
2	Seal Retainer	CM-391-2548-015	26	Bearing Carrier	
3	Double Lip Seal (Shaft Seal-Pumps)	CM-391-2883-052	27	Roll pin	
4	"O" Ring	CM-391-2881-127	28	Shaft Bushing	CM-391-0481-004
5	Tapered Roller Bearing	CM-391-0384-006	29	Bearings	
6	Drive Shaft		30	Thrust Plate	
7	Shaft End Cover		31	Pocket Seal	
8	Shaft Bushing (Bronze)	CM-391-0481-001	32	Spacer	
9	Conical Spring	CM-391-3581-172	33	Matched Gears	
10	Set Screw		34	Gasket Seal	
11	Check Assemblies	CM-391-3681-001	35	Gear Housing	
12	Bearings		36	Gasket Seal	CM-391-2884-023
13	Thrust Plate		37	Connecting Stud	
14	Pocket Seals		38	Hex Head Nut	
15	Spacer		39	Studs	
16	Matched Gears		40	Thrust Plate	
17	Gasket Seal		41	Pocket Seals	
18	Gear Housing		42	Bearings	
19	Gasket Seal		43	Port End Cover	
20	Thrust Plate	CM-391-2185-909	44	Washer	
21	Pocket Seals		45	Hex Head Nut	
22	Bearing	CM-391-0381-904	46	Seal Retainer	CM-391-2581-004
23	Roll Pin		47	Hi Pressure Seal (shaft seal-motors)	CM-391-2883-094
24	Shaft Bushing				

P50 Parts Breakdown Typical Parts List

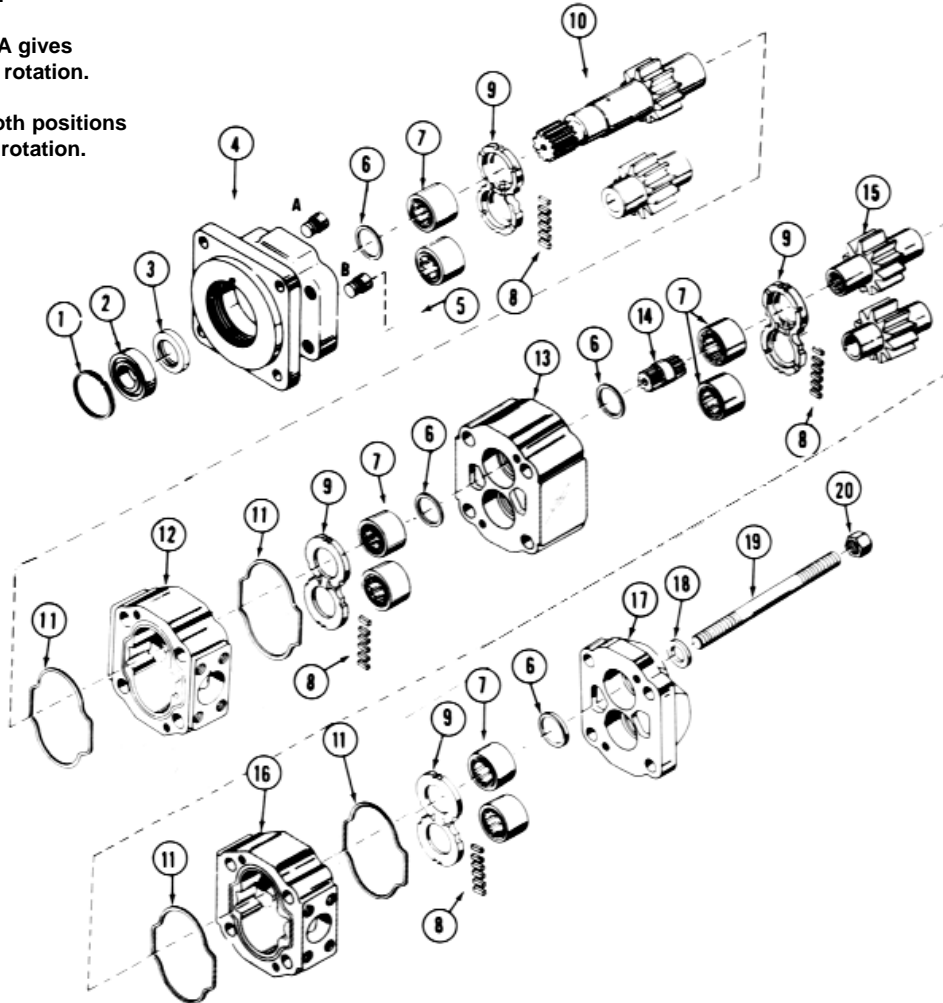
Note:

This page shows the typical arrangement of a 2-section unit. It may not be pictorially correct and is not to scale.

Plug 5 in position B gives clockwise rotation.

Plug 5 in position A gives counter-clockwise rotation.

Check valves in both positions give bi-directional rotation.



Item	Description	Part Number	Item	Description	Part Number
1	Snap Ring	CM-391-2686-065	10	Integral Drive Shaft and Gear Set	See Option List
2	Outboard Bearing	CM-391-0381-077	11	Gasket Seals	CM-391-2884-021
3	Seal (Pump)	CM-391-2883-103	12	Gear Housing	See Option List
4	Hi Pressure Seal (Motor)	CM-391-2883-115	13	Bearing Carrier	See Option List
5	Shaft End Cover	See Option List	14	Connecting Shaft	See Option List
6	Check Assemblies	CM-391-3681-001	15	Matched Gear Set	See Option List
7	Plug	CM-391-2286-004	16	Gear Housing	See Option List
8	Ring Seals	CM-391-2585-009	17	Port End Cover	See Option List
9	Roller Bearings	CM-391-0381-905	18	Washers	
	Pocket Seals		19	Studs or Cap Screws	
	Thrust Plates	CM-391-2185-912	20	Nuts	

P51 Parts Breakdown

Typical Parts List

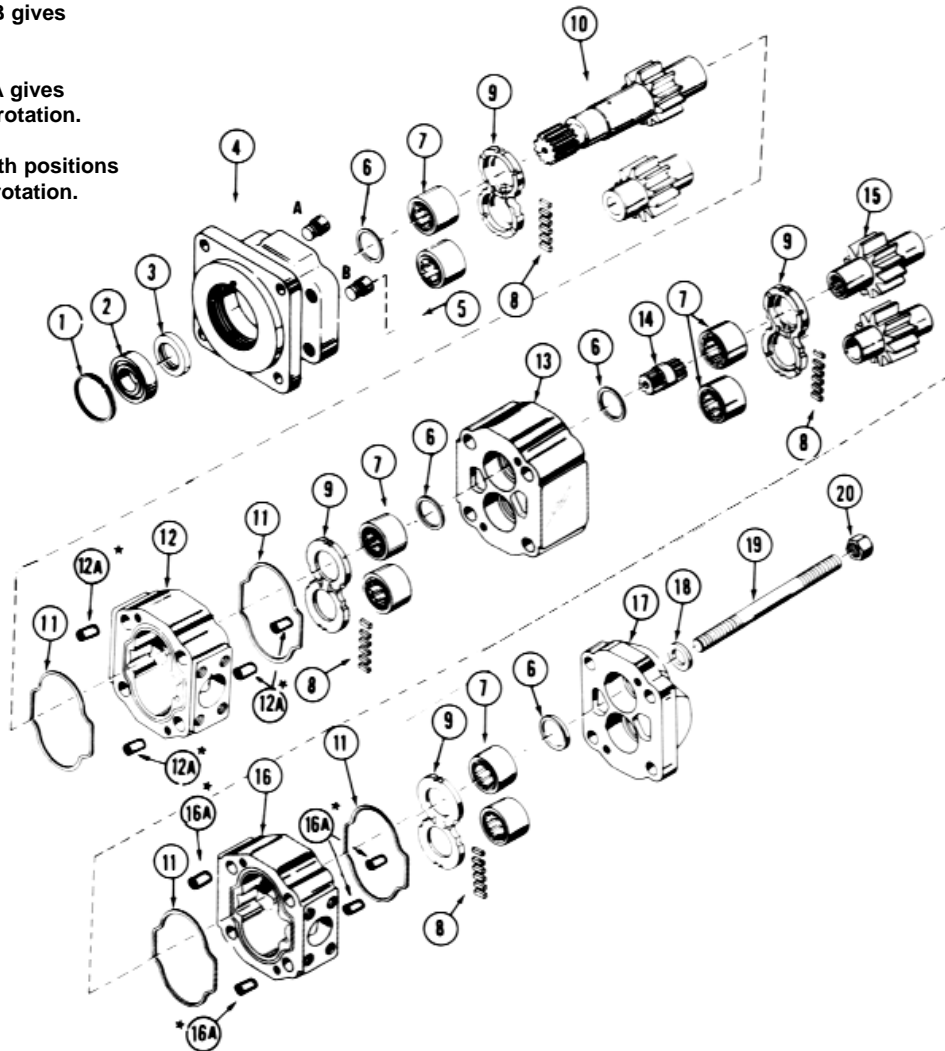
Note:

This page shows the typical arrangement of a 2-section unit. It may not be pictorially correct and is not to scale.

Plug 5 in position B gives clockwise rotation.

Plug 5 in position A gives counter-clockwise rotation.

Check valves in both positions give bi-directional rotation.



Item	Description	Part Number	Item	Description	Part Number
1	Snap Ring	CM-391-2686-065	11	Gasket Seals	CM-391-2884-021
2	Outboard Bearing	CM-391-0381-077	12	Gear Housing	See Option List
3	Seal	CM-391-2883-103	12A	Dowel Pins	CM-391-2082-032
4	Hi Pressure Seal (Motor)	CM-391-2883-115	13	Bearing Carrier	See Option List
5	Shaft End Cover	See Option List	14	Connecting Shaft	See Option List
5	Check Assemblies	CM-391-3681-001	15	Matched Gear Set	See Option List
	Plug	CM-391-2286-004	16	Gear Housing	See Option List
6	Ring Seals	CM-391-2585-009	16A	Dowel Pins	CM-391-2082-032
7	Roller Bearings	CM-391-0381-905	17	Port End Cover	See Option List
8	Pocket Seals		18	Washers	
9	Thrust Plates	CM-391-2185-912	19	Studs or Cap Screws	
10	Integral Drive Shaft and Gear Set	See Option List	20	Nuts	

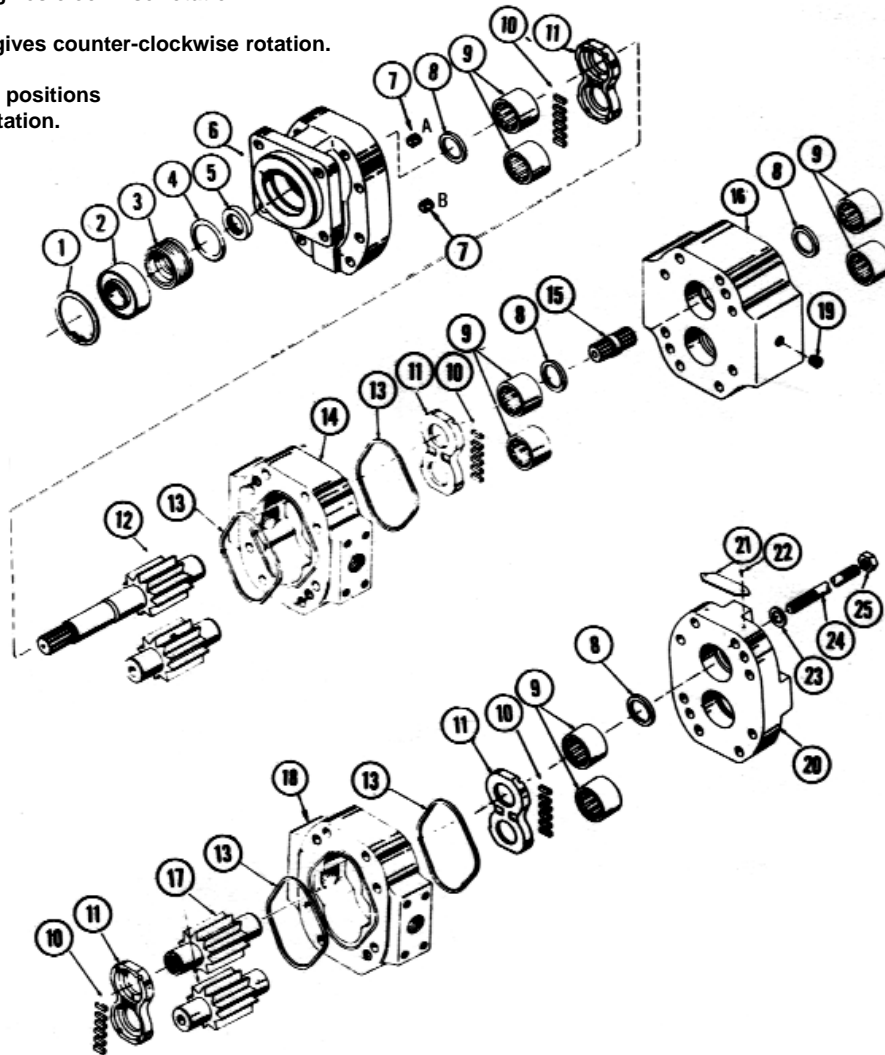
P75 Parts Breakdown Typical Parts List

Note:

Plug 7 in position B gives clockwise rotation.

Plug 7 in position A gives counter-clockwise rotation.

Check valves in both positions give bi-directional rotation.



Item	Description	Part Number	Item	Description	Part Number
1	Snap Ring	CM-391-2686-025	12	Integral Drive Shaft and Gear Set	See Option List
2	Outboard Bearing	CM-391-0381-078	13	Gasket Seals	
3	Spacer	CM-391-3383-018	14	Gear Housing	See Option List
4	Seal Retainer	CM-391-2584-051	15	Connecting Shaft	See Option List
5	"O" Ring	CM-391-2881-457	16	Bearing Carrier	See Option List
6	Seal (Pump)	CM-391-2883-052	17	Matched Gear Set	See Option List
7	Seal (Motor)	CM-391-2883-094	18	Gear Housing	See Option List
8	Shaft End Cover		19	Plug	
9	Check Assemblies	CM-391-3681-001	20	Port End Cover	
10	Plug	CM-391-2286-004	21	Name Plate	
11	Ring Seals	CM-391-2585-011	22	Drive Screws	
12	Roller Bearings	CM-391-0381-904	23	Washers	
13	Pocket Seals	CM-391-2282-084	24	Studs or Cap Screws	
14	Thrust Plates	CM-391-2185-920	25	Nuts	

P76 Parts Breakdown

Typical Parts List

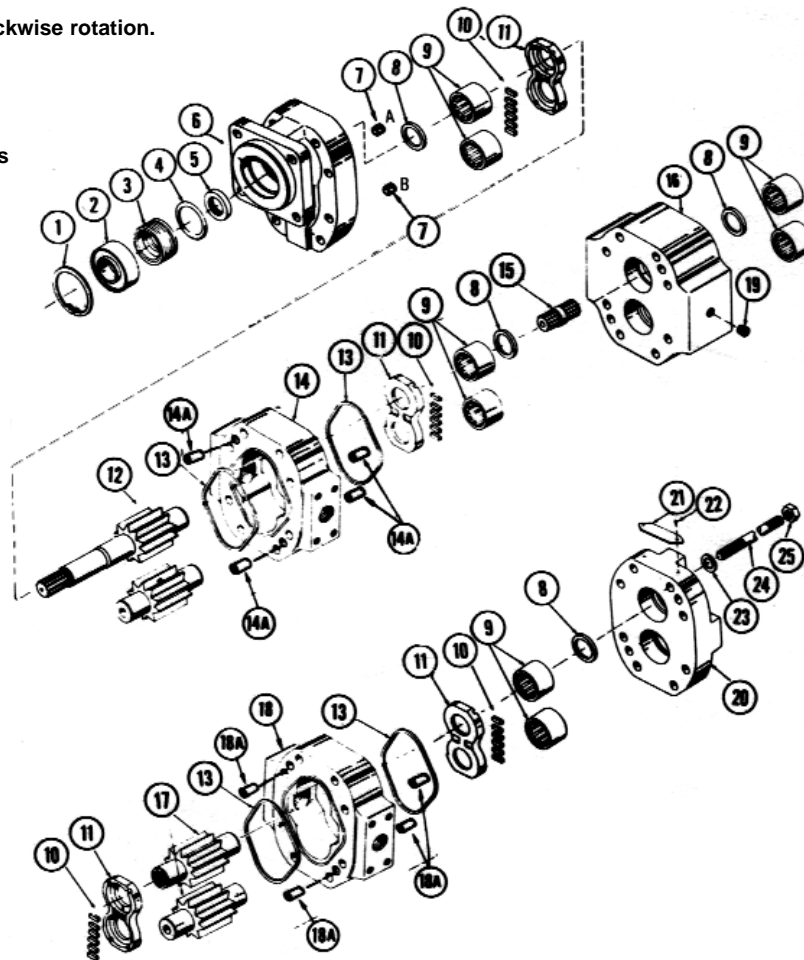
Note:

This page shows the typical arrangement of a 2-section unit. It may not be pictorially correct and is not to scale.

Plug 7 in position B gives clockwise rotation.

Plug 7 in position A gives counter-clockwise rotation.

Check valves in both positions give bi-directional rotation.

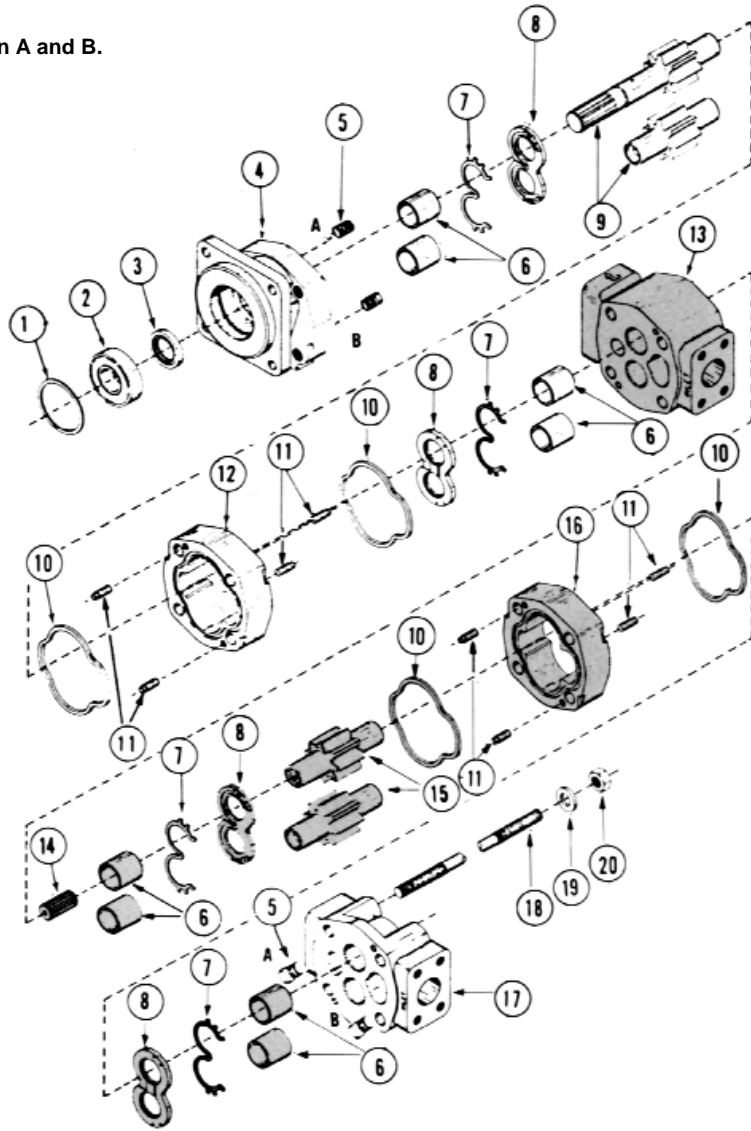


Item	Description	Part Number	Item	Description	Part Number
1	Snap Ring	CM-391-2686-025	13	Gasket Seals	
2	Outboard Bearing	CM-391-0381-078	14	Gear Housing	See Option List
	Spacer	CM-391-3383-018	14A	Dowel Pins	
3	Seal Retainer	CM-391-2584-051	15	Connecting Shaft	See Option List
4	"O" Ring	CM-391-2881-457	16	Bearing Carrier	See Option List
5	Seal (Pump)	CM-391-2883-052	17	Matched Gear Set	See Option List
	Seal (Motor)	CM-391-2883-094	18	Gear Housing	See Option List
6	Shaft End Cover		18A	Dowel Pins	
7	Check Assemblies	CM-391-3681-001	19	Plug	
	Plug	CM-391-2286-004	20	Port End Cover	
8	Ring Seals	CM-391-2585-011	21	Name Plate	
9	Roller Bearings	CM-391-0381-904	22	Drive Screws	
10	Pocket Seals	CM-391-2282-084	23	Washers	
11	Thrust Plates	CM-391-2185-920	24	Studs or Cap Screws	
12	Integral Drive Shaft and Gear Set	See Option List	25	Nuts	

P330 Parts Breakdown Typical Parts List

Note:

Plug 5 required in position A and B.



Item	Description	Part Number	Item	Description	Part Number
1	Snap Ring	300-206	10	Gasket Seal	580-242
2	Outboard Bearing	CM-391-0381-040	11	Dowel Pins (Solid)	CM-391-2082-032
3	Seal	CM-391-2883-058	12	Gear Housing	See Option List
4	Shaft End Cover	See Option List	13	Bearing Carrier	See Option List
5	Plug		14	Connection Shaft	See Option List
6	Bushings	CM-391-0482-306	15	Matched Gear Set	See Option List
7	Channel Seal	CM-391-2885-065	16	Gear Housing	See Option List
8	Thrust Plates	CM-391-2185-956	17	Port End Cover	
9	Integral Drive Shaft and Gear Set		18	Studs or Cap Screws	
			19	Washers	
			20	Nuts	

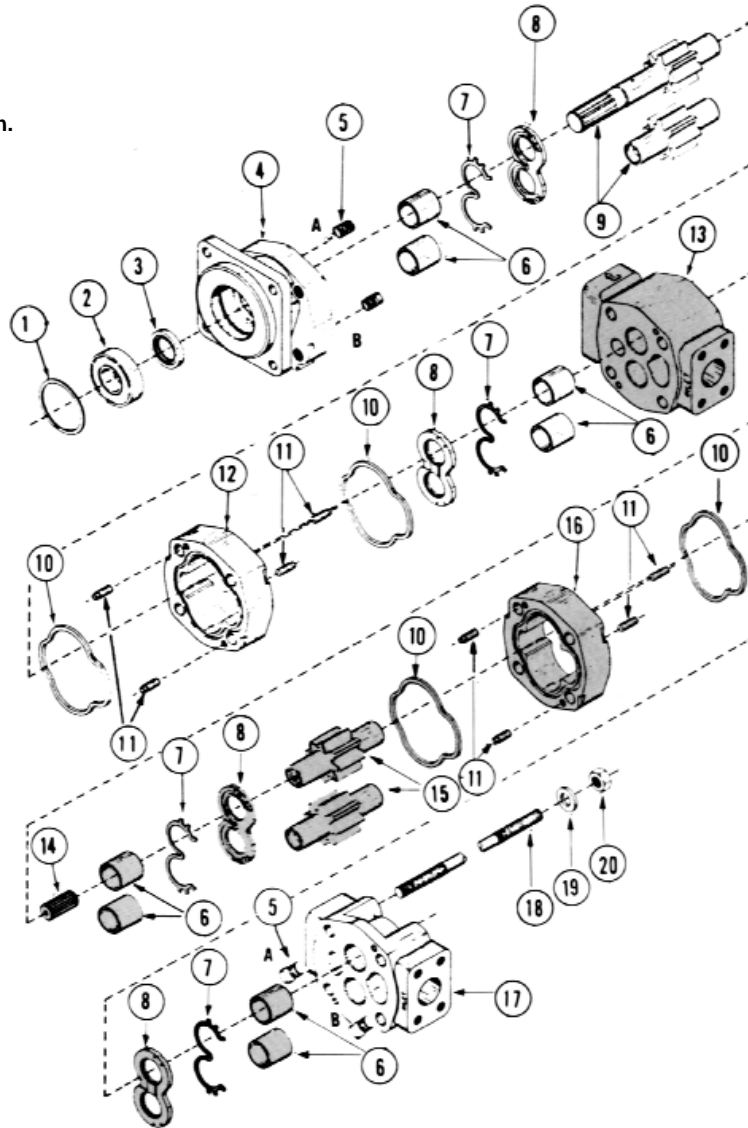
P350 Parts Breakdown

Typical Parts List

Note:

Plug 5 in position B gives clockwise rotation.

Plug 5 in position A gives counter-clockwise rotation.



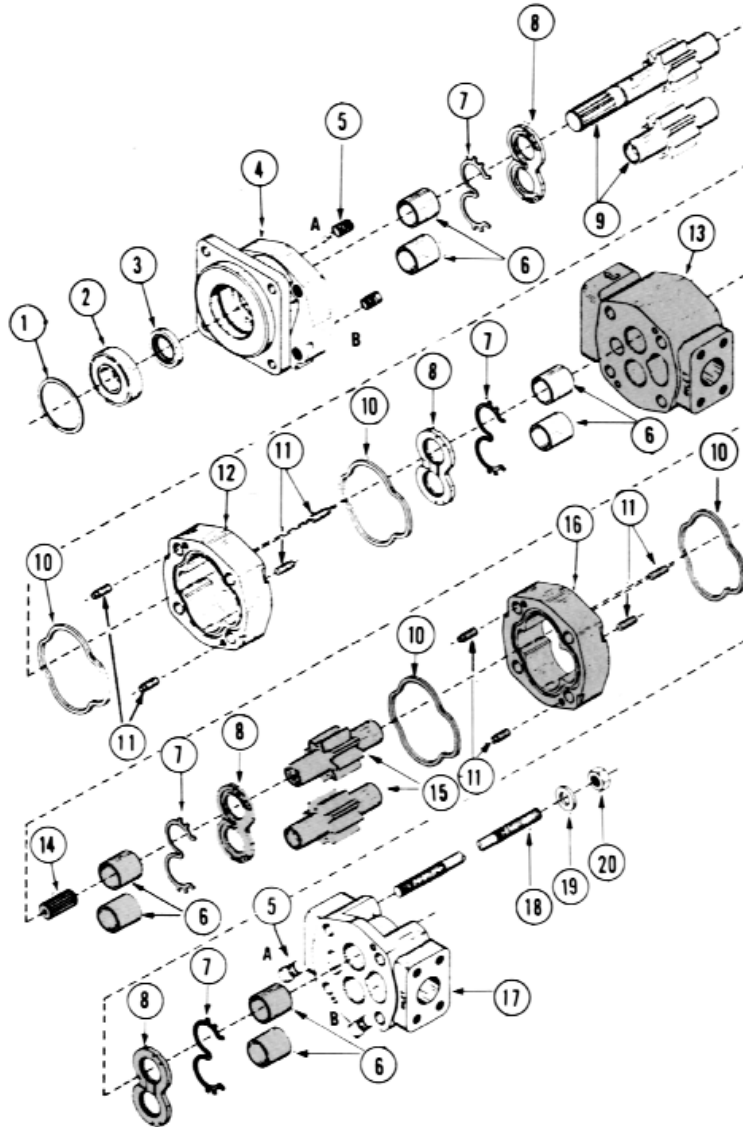
Item	Description	Part Number	Item	Description	Part Number
1	Snap Ring	WHM-283	10	Gasket Seal	580-246
2	Outboard Bearing	CM-391-0381-077	11	Dowel Pins (Solid)	CM-391-2082-032
3	Seal	CM-391-2883-103	12	Gear Housing	See Option List
4	Shaft End Cover	See Option List	13	Bearing Carrier	See Option List
5	Plug		14	Connection Shaft	See Option List
6	Bushings	CM-391-0482-308	15	Matched Gear Set	See Option List
7	Channel Seal	CM-391-2885-066	16	Gear Housing	See Option List
8	Thrust Plates	CM-391-2185-957	17	Port End Cover	
9	Integral Drive Shaft and Gear Set		18	Studs or Cap Screws	
			19	Washers	
			20	Nuts	

P365 Parts Breakdown Typical Parts List

Note:

Plug 5 in position B gives clockwise rotation.

Plug 5 in position A gives counter-clockwise rotation.



Item	Description	Part Number	Item	Description	Part Number
1	Snap Ring	300-315	10	Gasket Seal	580-250
2	Outboard Bearing	CM-391-0381-078	11	Dowel Pins (Hollow)	CM-391-2082-062
3	Seal	CM-391-2883-052	12	Gear Housing	See Option List
4	Shaft End Cover	See Option List	13	Bearing Carrier	See Option List
5	Plug		14	Connection Shaft	See Option List
6	Bushings	CM-391-0482-307	15	Matched Gear Set	See Option List
7	Channel Seal	CM-391-2885-064	16	Gear Housing	See Option List
8	Thrust Plates	CM-391-2185-955	17	Port End Cover	
9	Integral Drive Shaft and Gear Set		18	Studs or Cap Screws	
			19	Washers	
			20	Nuts	